

FROG

3,5 m



Hidden Power

FROG is the most functional, desirable solution for any type of swing gate.

It is the best way to automate a gate without altering its shape and design.

In the CAME tradition the reduction gear is electromechanical, to ensure smooth precise and safe movement over time.



An automation solution that makes the difference

High efficiency operators

- **They are sturdy, quiet, but above all electromechanical:** care in the choice of materials used, its construction with a permanent fluid grease lubrication, but above all the fact that it is **electromechanical**, eliminates the need for periodic maintenance of the operators.
- **Watertight (IP67; NEMA 6)** for uninterrupted operation even under severe rain.

The setting and durability of the foundation case

- **Set during the gate installation**, the operator is mounted at a later time, thus, assuring a correct installation and cost efficiency.
- **Anti-corrosive** and resistant to the elements, made of stainless steel and protected with a special galvanized treatment. For extreme applications in the presence of corrosive elements, the STAINLESS STEEL (FROG BI) version is also available.

It safely locks, opens and relocks

During a power outage, everything is simpler even for the versions powered with 230V (110V).

CAME offers the possibility of choosing among three new door release solutions, both ORIGINAL and PATENTED, for the perfect solution to individual requirements:

- **a basic solution** with a release lever, simple and practical. It is the fastest and most convenient solution;
- **there are two more sophisticated versions**, whose doors unlock only via a special three-sided key or with a personalised DIN cylinder key.

The key versions also offer an additional feature: the gate manually locks in the closed position. During long power outages, the FROG release system allows you to open and securely close the gate.



Also for condominiums and intensive traffic applications

The 24V D.C. model is designed for continuous duty operation. Slow down at opening and closing. It can accommodate inputs from any access control system: radio transmitter, card reader, telephone entry or safety device loops or photocells. It can incorporate a battery backup system in case of power failure.

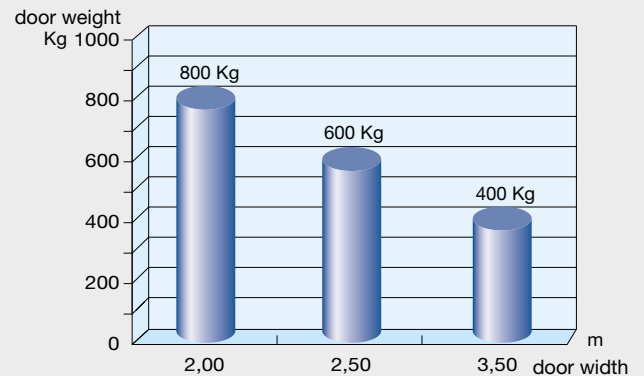


Technical characteristics

Technical information

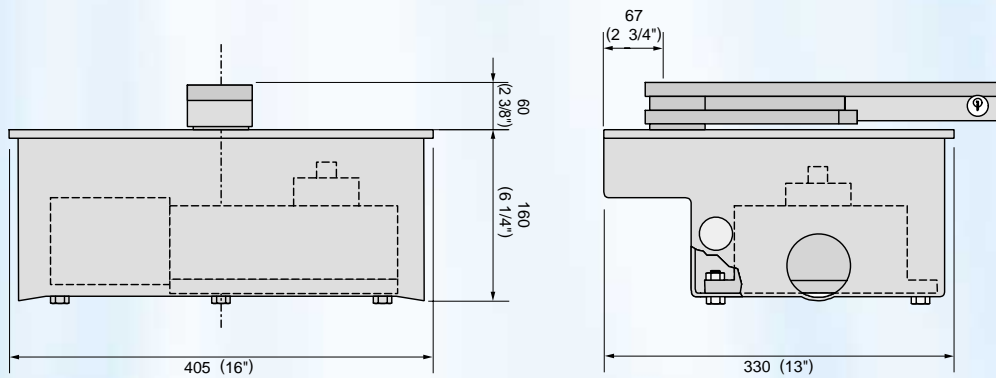
Type	FROG-A	FROG-AV	FROG-A24
Protection level		IP67 (NEMA 6)	
Power supply		230V (110V) A.C.	
Motor power supply	230V (110V) A.C.	230V (110V) A.C.	24V D.C.
Capacity	200 W	300 W	180 W
Duty cycle	30%	30%	intensive oper.
Max torque	320 N•m	240 N•m	320 N•m
Motor thermal protection	150°C	150°C	
Opening time (90°)	18S	9S	from 16 to 45S
Operating temperature	-20°C min. +70°C max.		

Use limits (1 Kg = 2,2 LBS - 1 m = 3,2 ft)

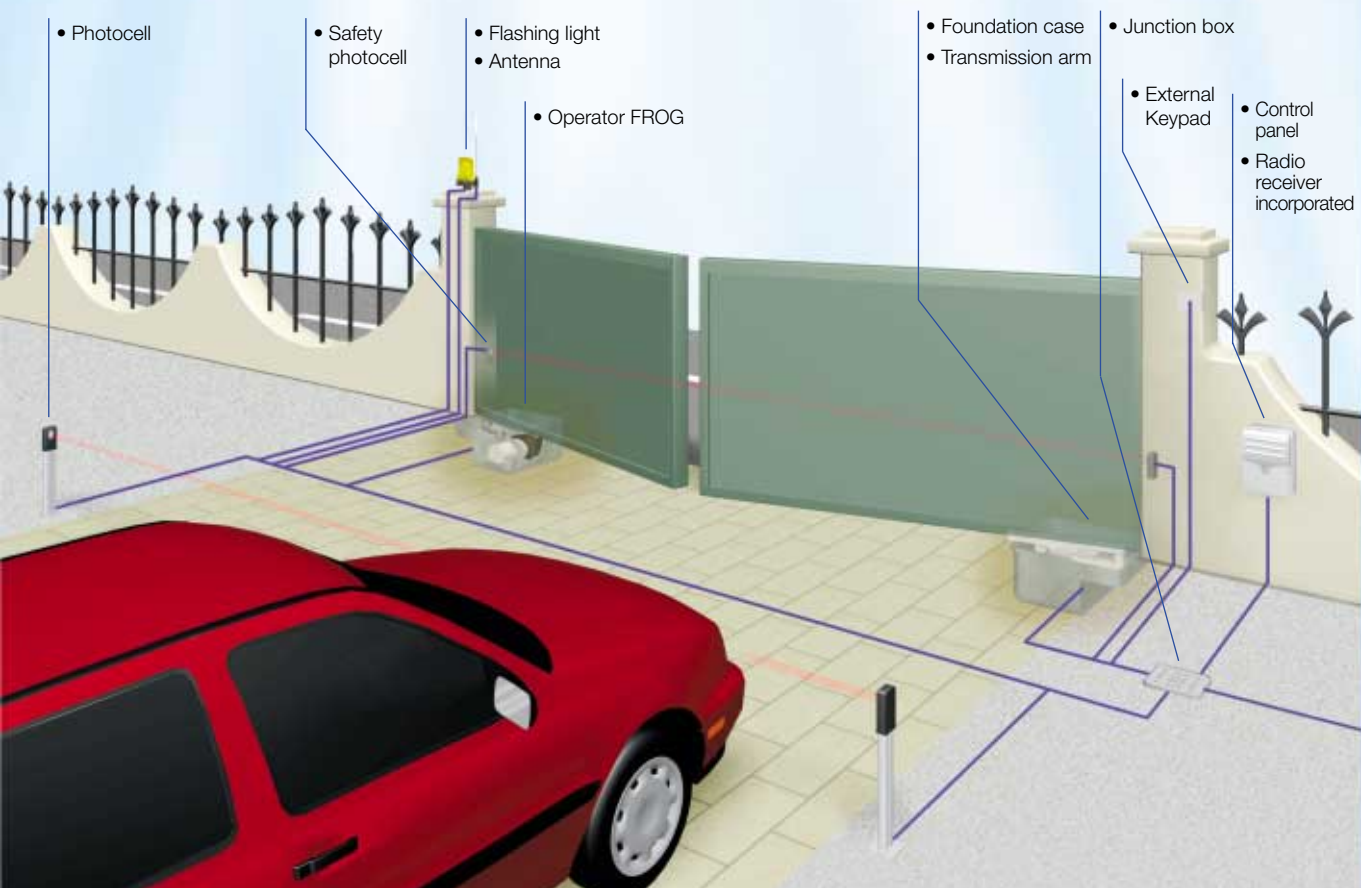


The standard opening is 110°; with the A 4370 and FL 180 accessories, the opening increases up to 140° and 180° respectively.

Overall dimensions



Swing gate system for industrial passage



Applications